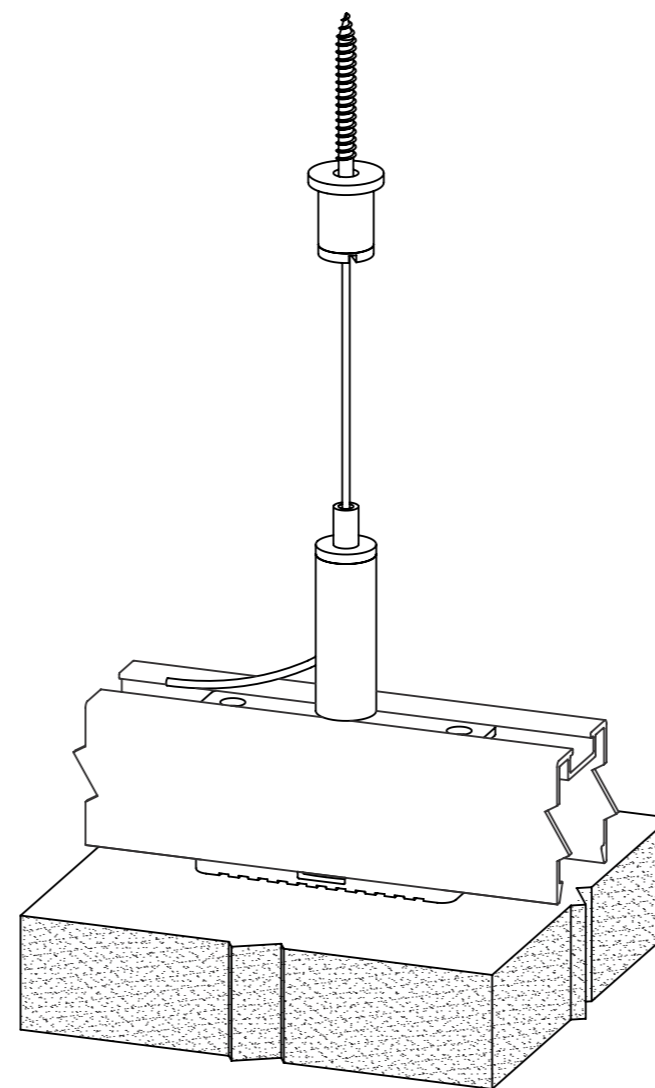


Suspension Method 1

Suitable for smaller Horizon panels
(Square, Circle, Hexagon, Triangle)

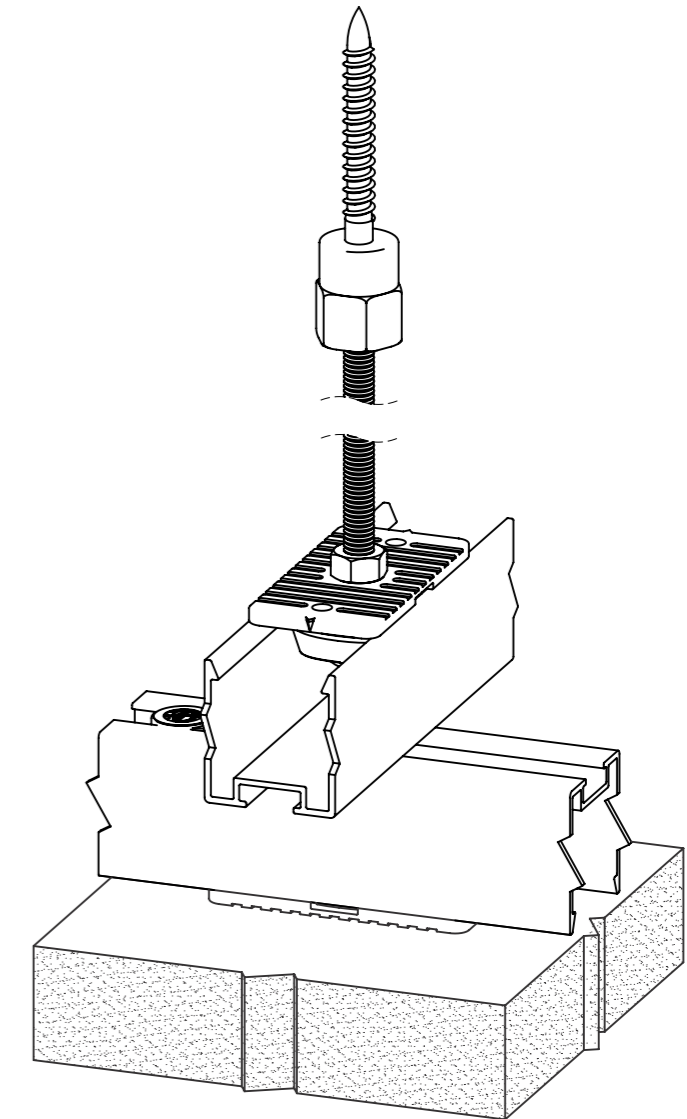
(RAHVASSC + RAFFPC)



Suspension Method 2

Suitable for larger Horizon panels (Rectangle, Oval) or
when suspending groups of smaller Horizon panels
(up to one pack).

(RAHVAS + RAFFPC + RAFNEX2420)



Suspension Method 3

Suitable for all types of Horizon panels, when creating large
groupings suspended from threaded rod. (Threaded rod and fixings
not supplied by Autex)

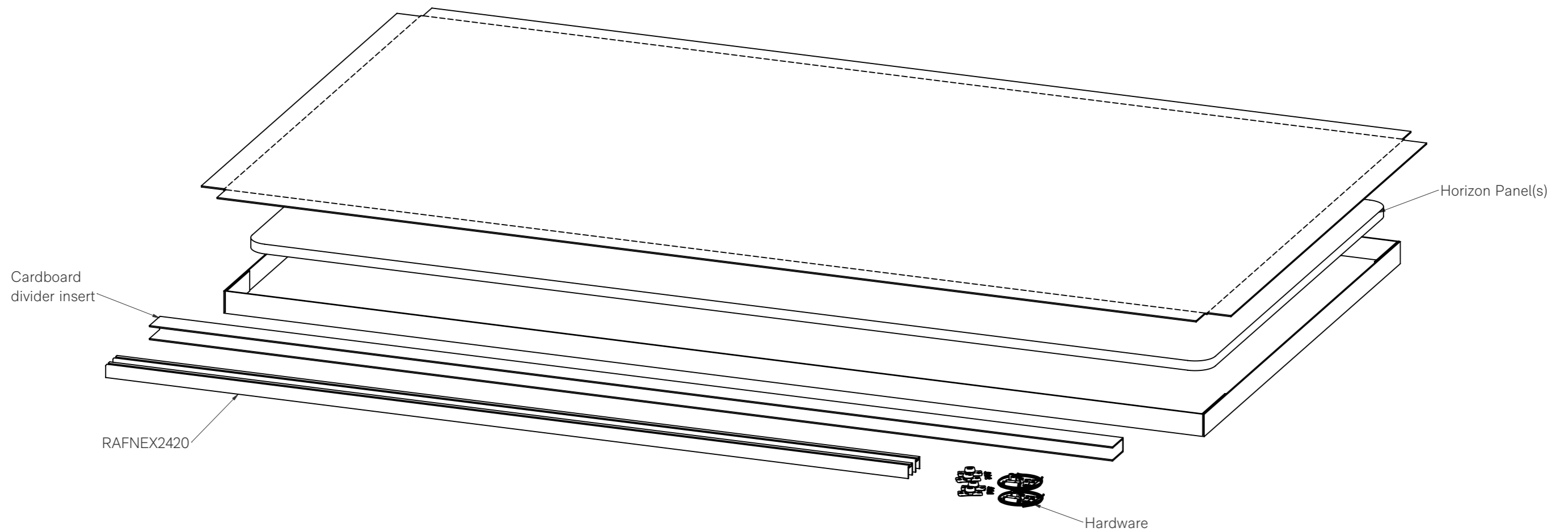
(RAFFPC + RAFNEX2420 + RAFNEX24 + RAFTCC + Threaded Rod)

Suspended Horizon Panels

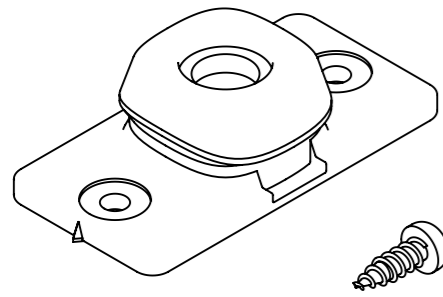
| Style | Horizon Panels | RAHVAS Suspension Sets | RAHVASSC Suspension Sets | RAFFPC Connector Sets | RAFNEX2420 Extrusion |
|-----------|----------------|------------------------|--------------------------|-----------------------|----------------------|
| Rectangle | 1 | 2 | - | 4 | 2 |
| Square | 2 | - | 4 | 4 | - |
| Oval | 1 | 2 | - | 4 | 2 |
| Circle | 2 | - | 3 | 3 | - |
| Hexagon | 2 | - | 3 | 3 | - |
| Triangle | 4 | - | 6 | 6 | - |

Direct Fixed Horizon Panels

| Style | Horizon Panels | RAHVAS Suspension Sets | RAHVASSC Suspension Sets | RAFFPC Connector Sets | RAFNEX2420 Extrusion |
|-----------|----------------|------------------------|--------------------------|-----------------------|----------------------|
| Rectangle | 1 | - | - | 4 | 2 |
| Square | 2 | - | - | 4 | 2 |
| Oval | 1 | - | - | 4 | 2 |
| Circle | 2 | - | - | 3 | 2 |
| Hexagon | 2 | - | - | 3 | 2 |
| Triangle | 4 | - | - | 6 | 2 |



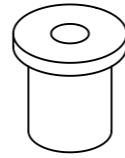
RAFFPC set



2x Floating panel Connector

4x 8G x 12mm panhead screw

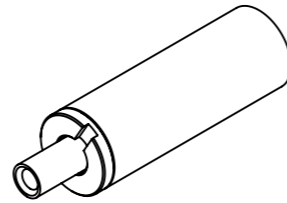
RAHVAS set



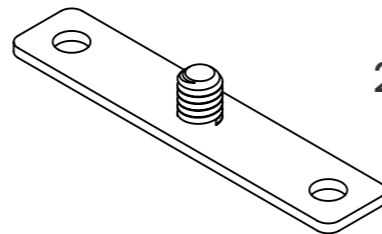
2x Ceiling connector



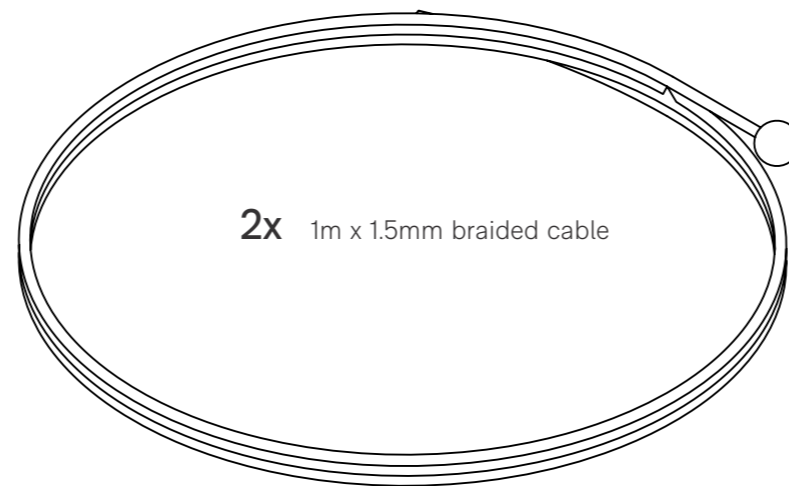
2x Ceiling connector cap



2x Cable adjustment barrel



2x Attachment plate



2x 1m x 1.5mm braided cable

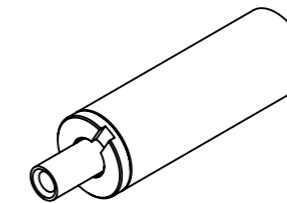
RAHVASSC set



2x Ceiling connector



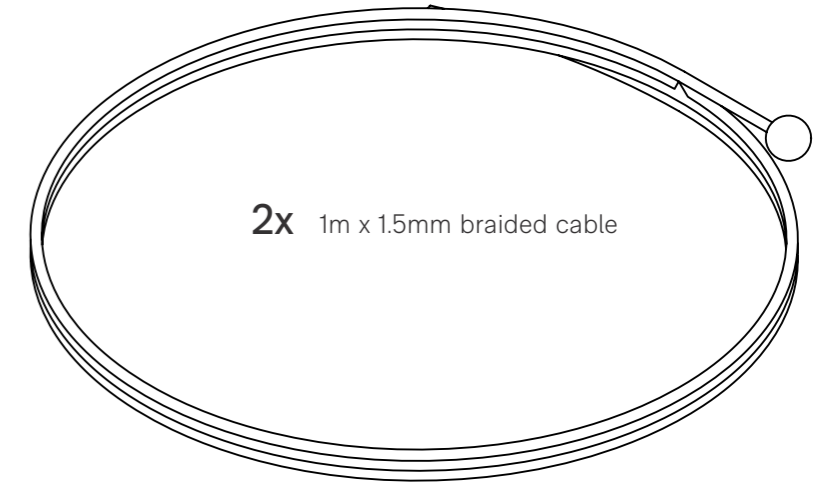
2x Ceiling connector cap



2x Cable adjustment barrel

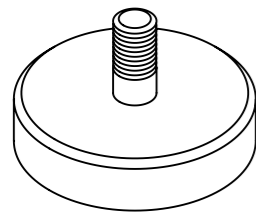


2x M5 x 20mm CSK machine screw

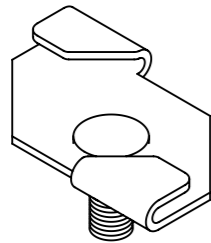


2x 1m x 1.5mm braided cable

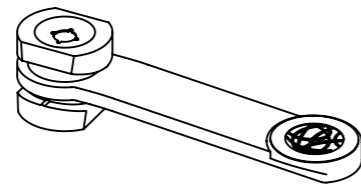
Additional Components



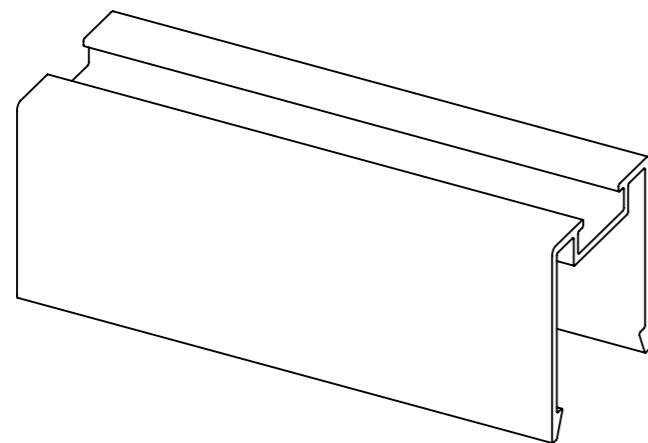
RAF6M6
Optional Magnetic Attachment



RAF6GC
Optional Grid Attachment



RAFTCC
Autex mounting clip

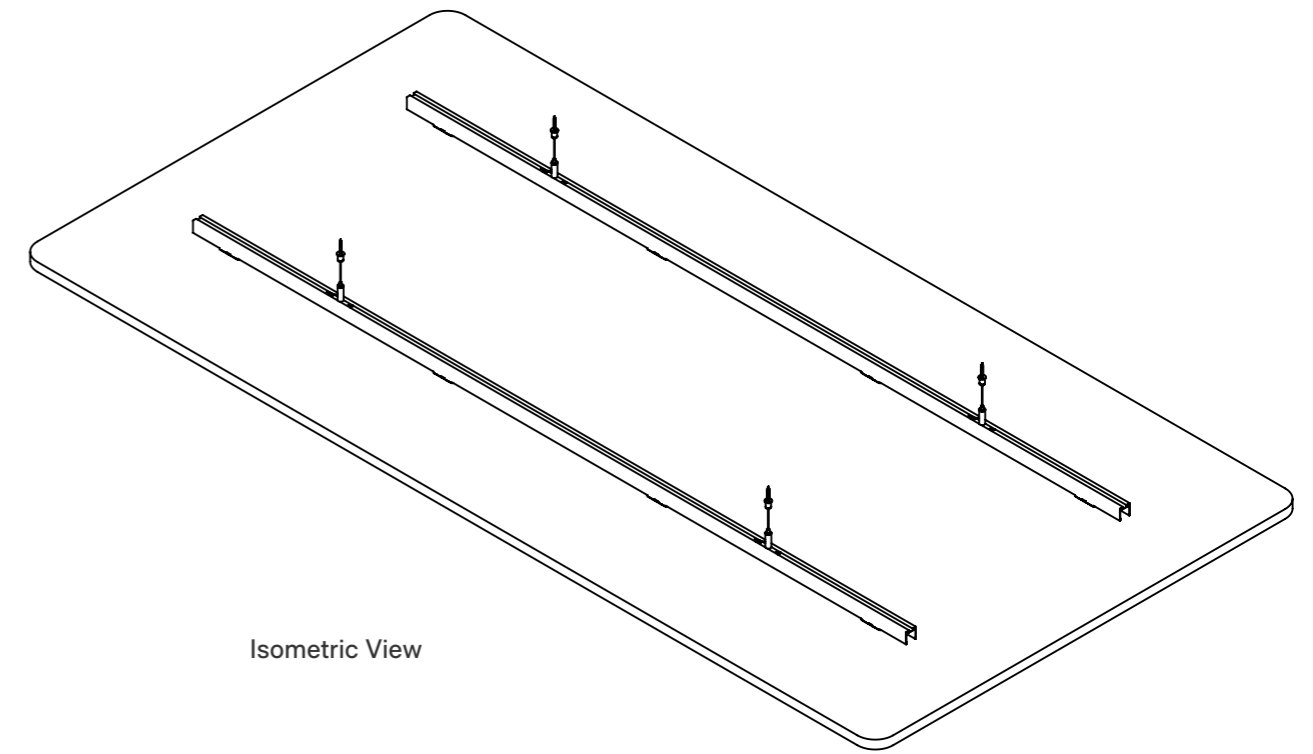


RAFEX24 (2400mm long)
RAFEX2420 (2000mm long)

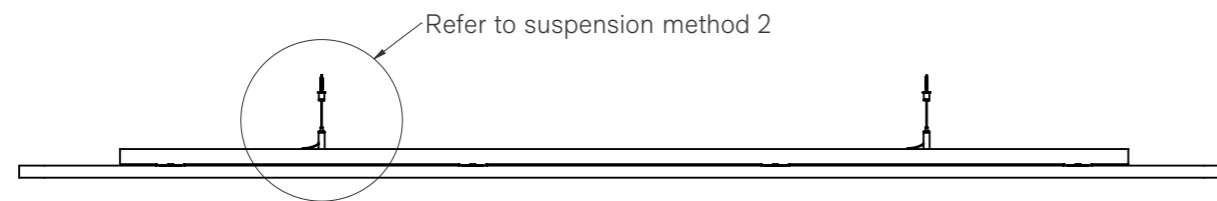
Note: Threaded rod, nuts, and fixings to ceiling substrate are not supplied by Autex. See pages 12-13 for more detail on threaded rod installation.



Plan View



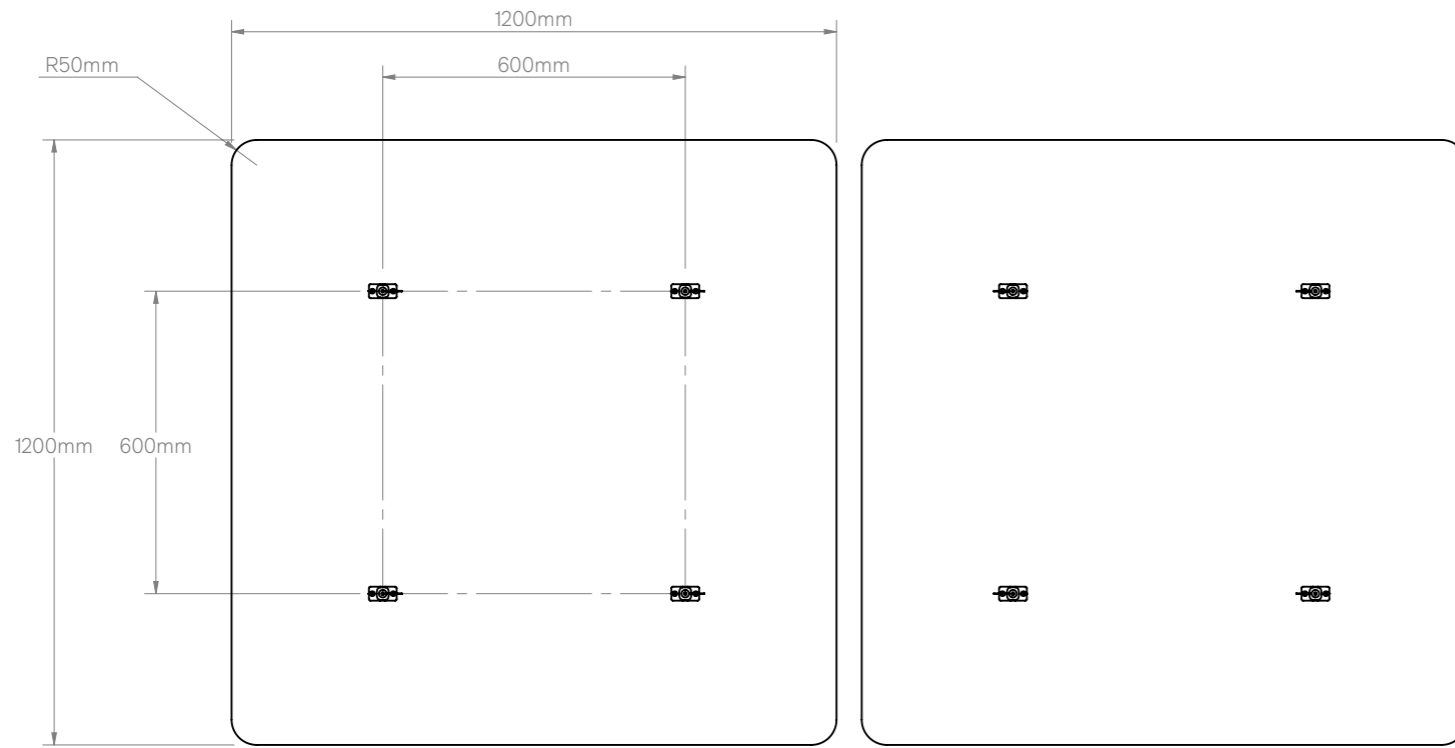
Isometric View



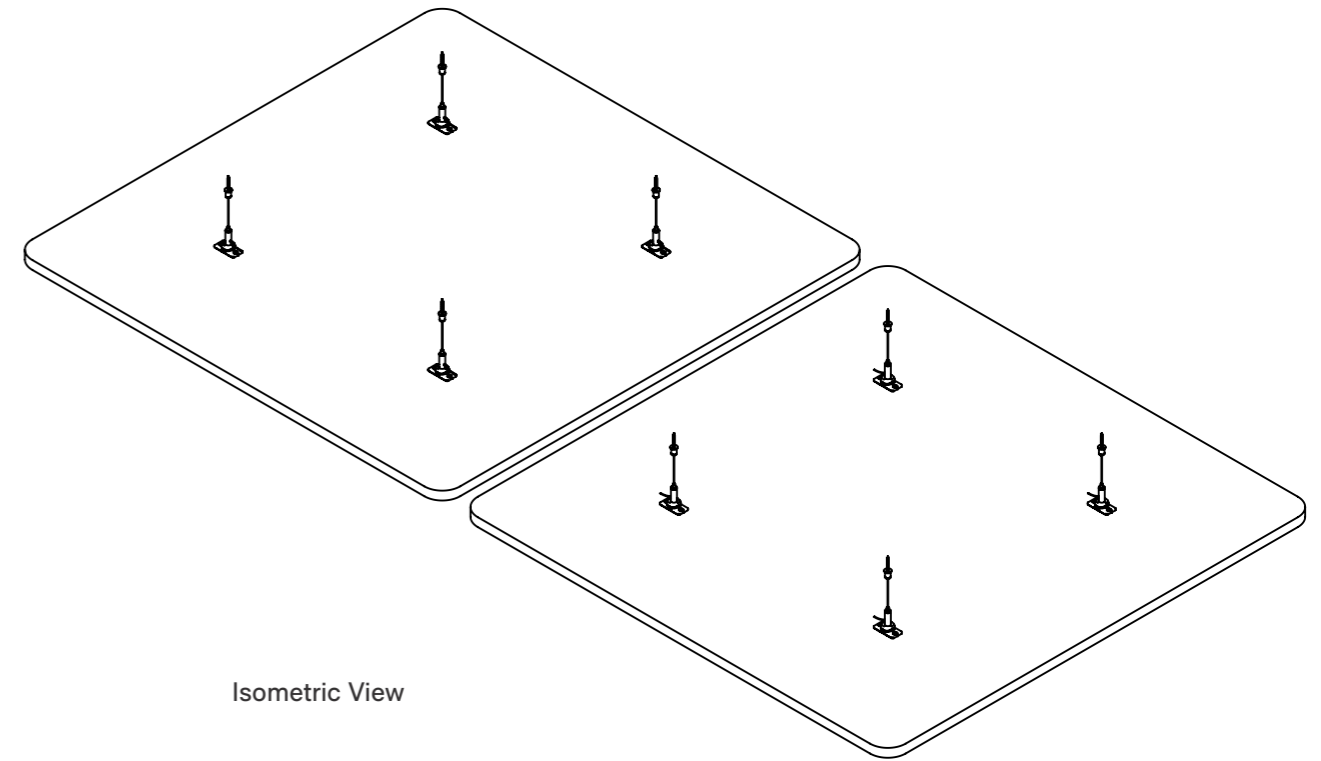
Front Elevation



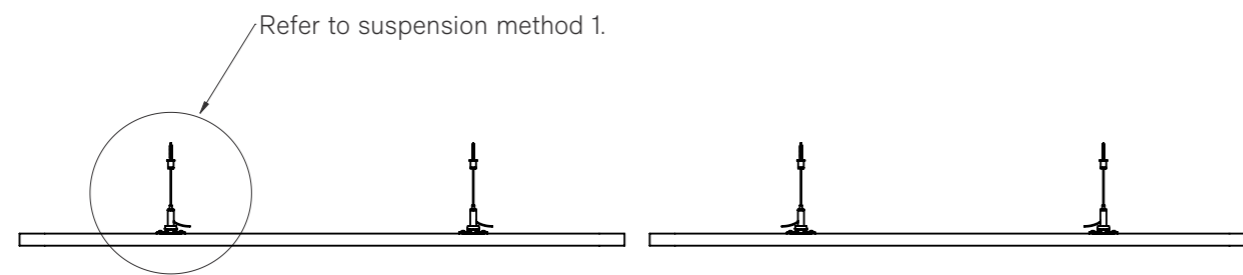
Side Elevation



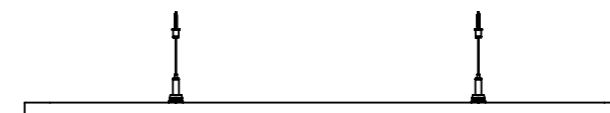
Plan View



Isometric View

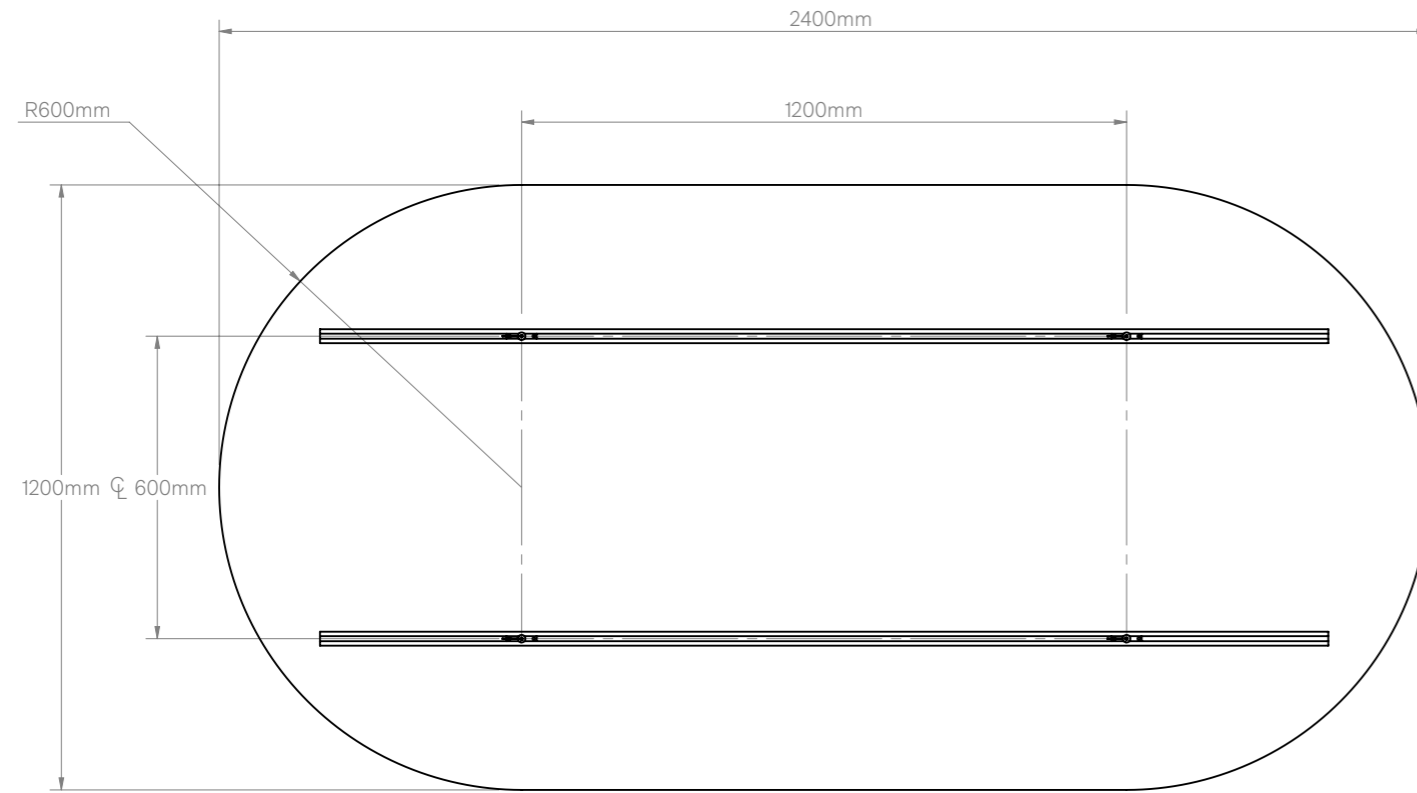


Front Elevation

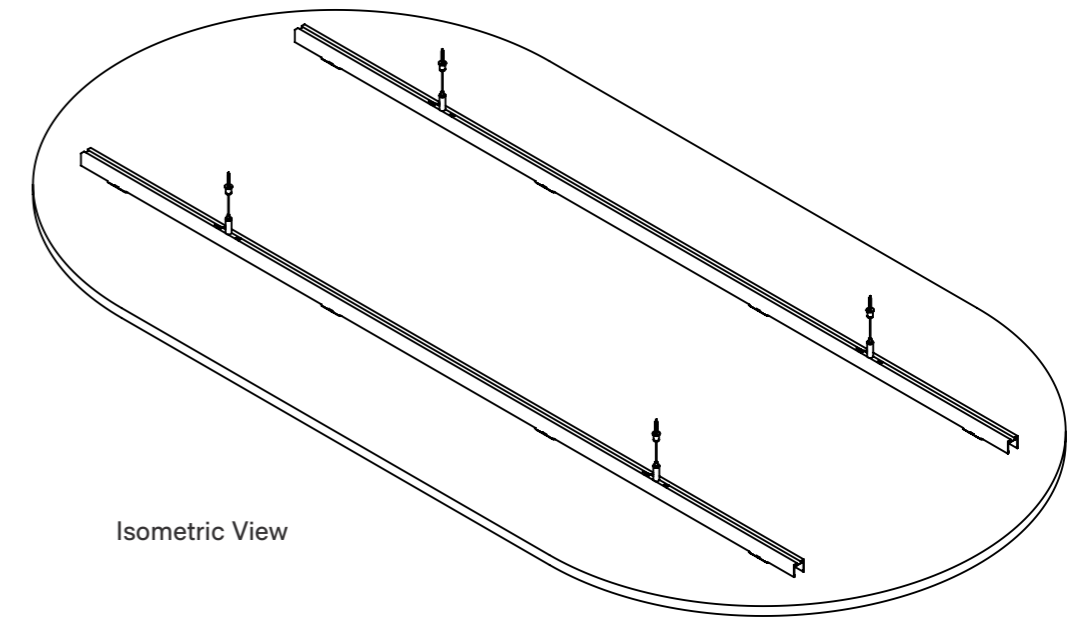


Side Elevation

Note: Suspension Method 2 could also be used to hang these panels, reducing the number of hangers required.



Plan View



Isometric View

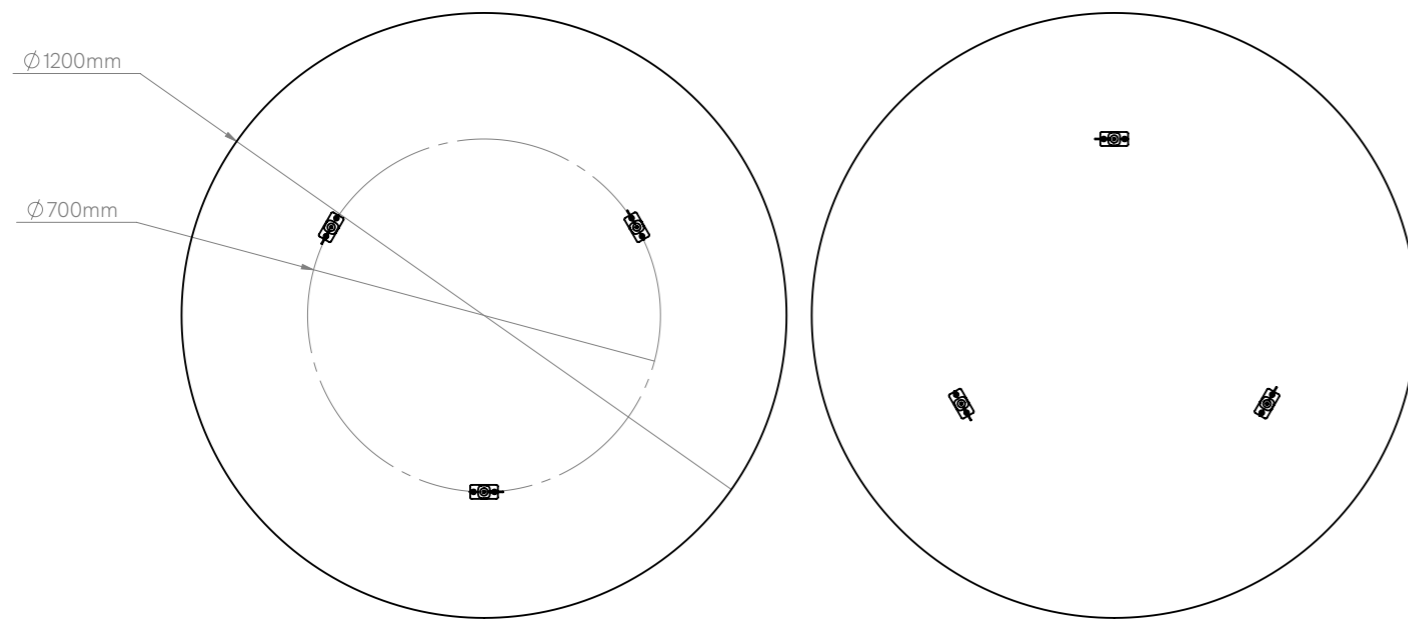


Front Elevation

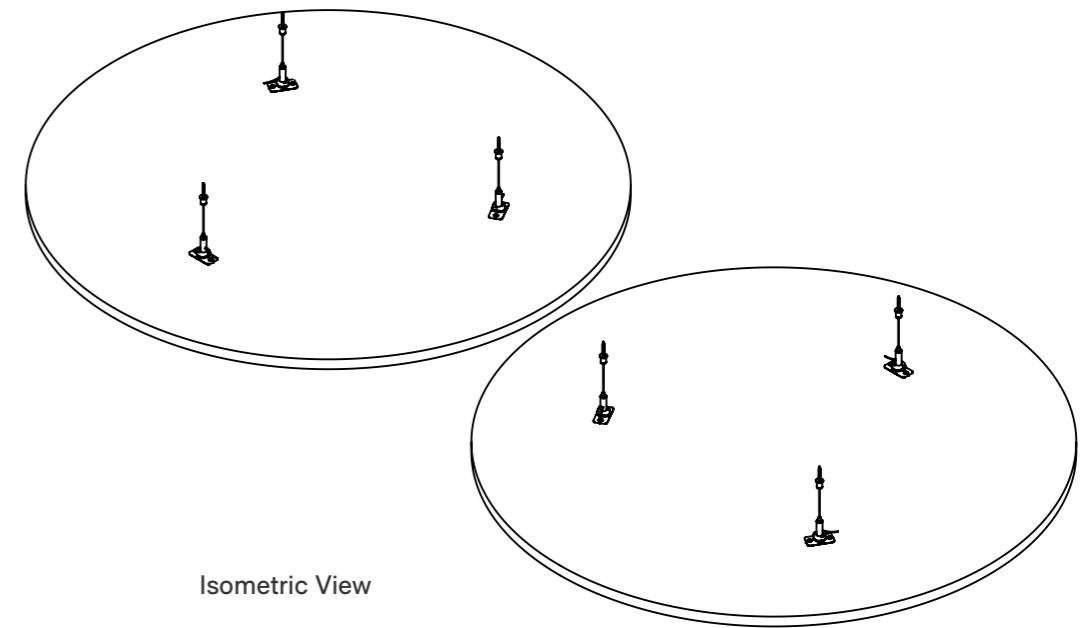
Refer to suspension method 2



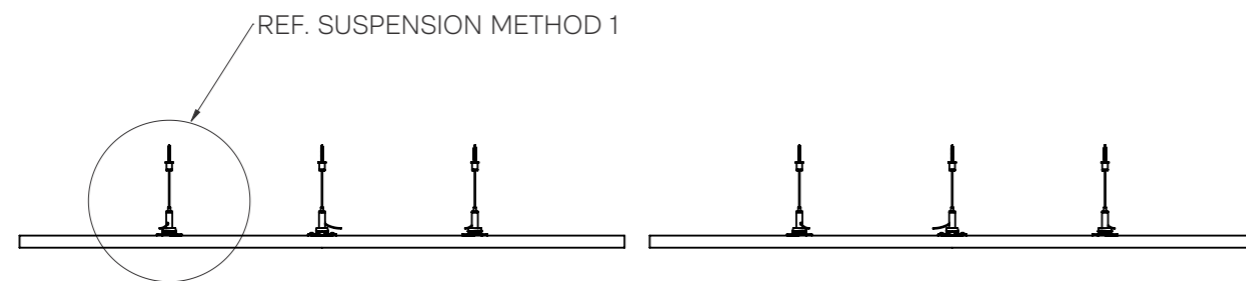
Side Elevation



Plan View



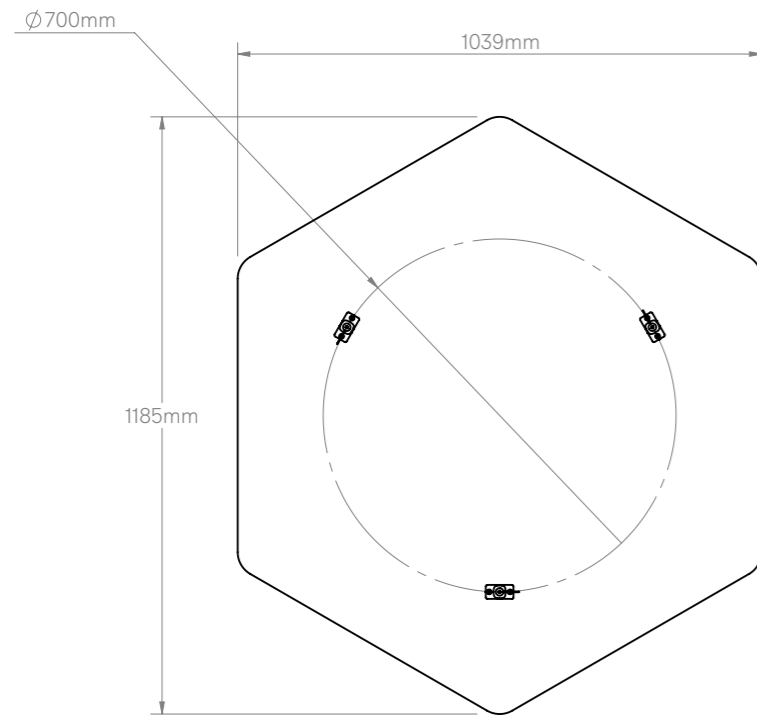
Isometric View



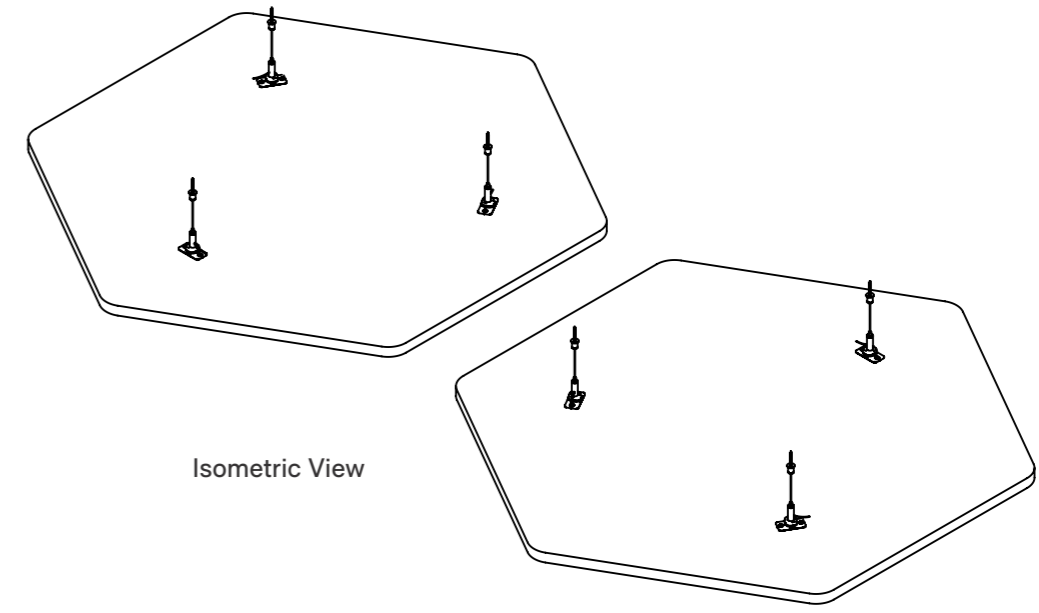
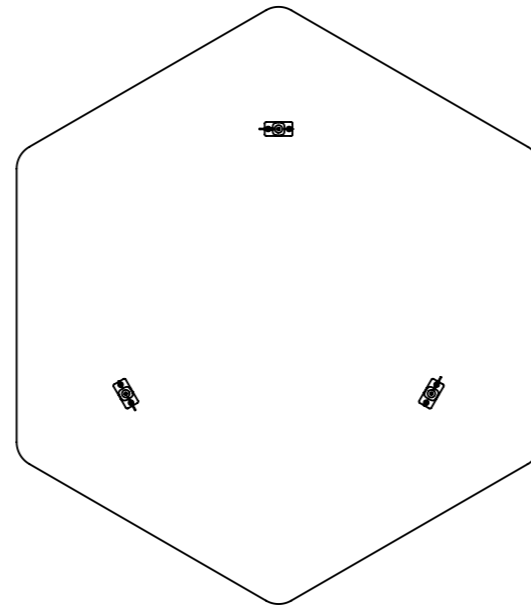
Front Elevation



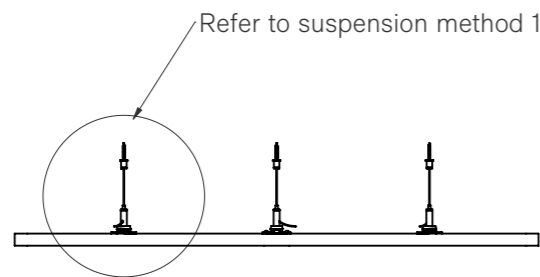
Side Elevation



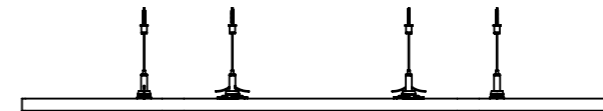
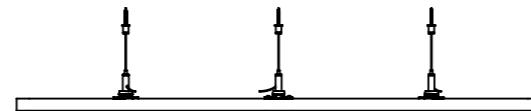
Plan View



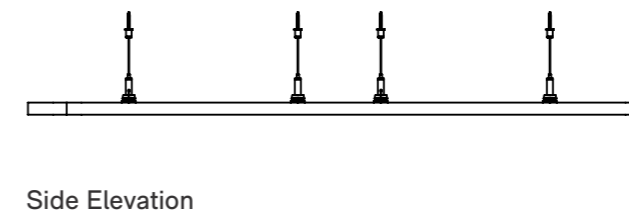
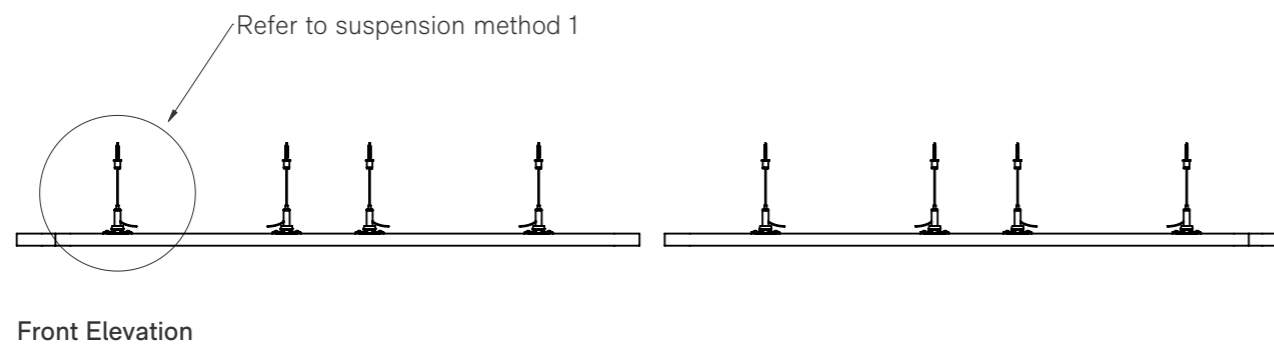
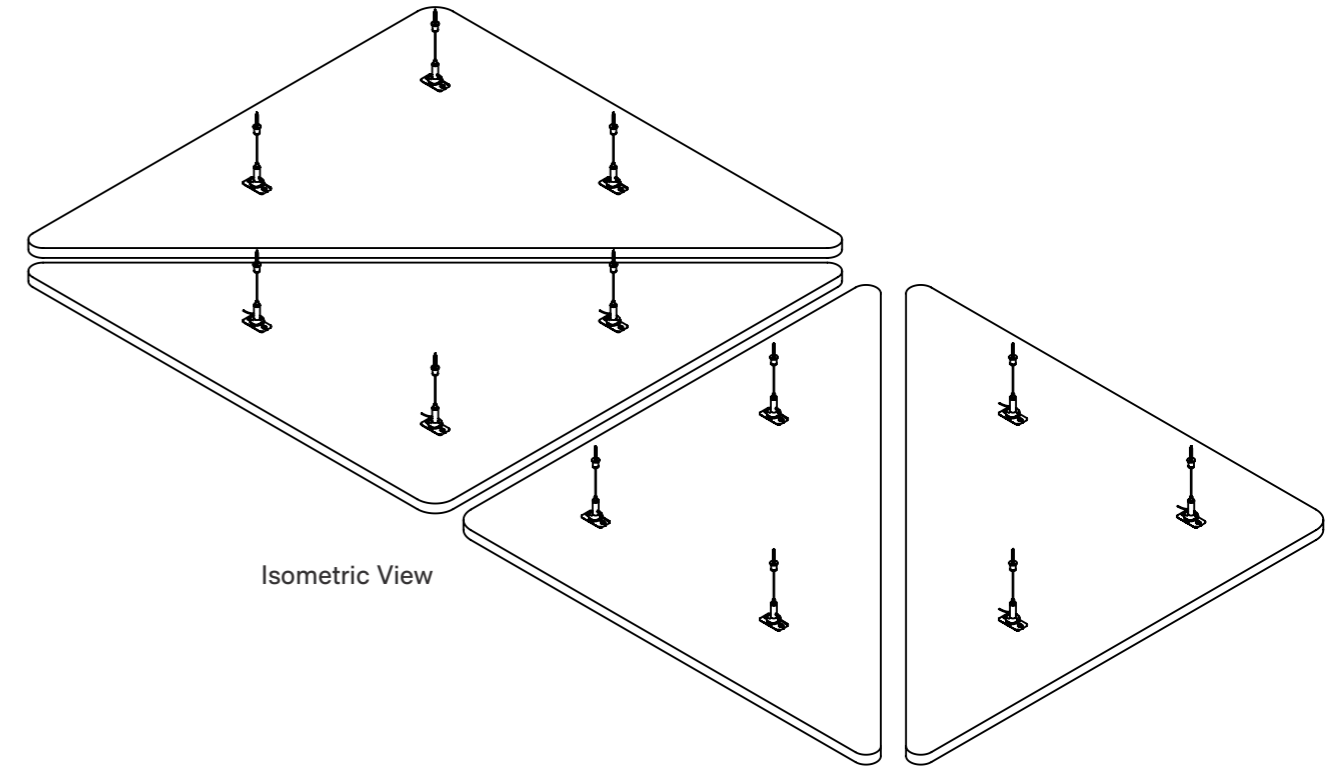
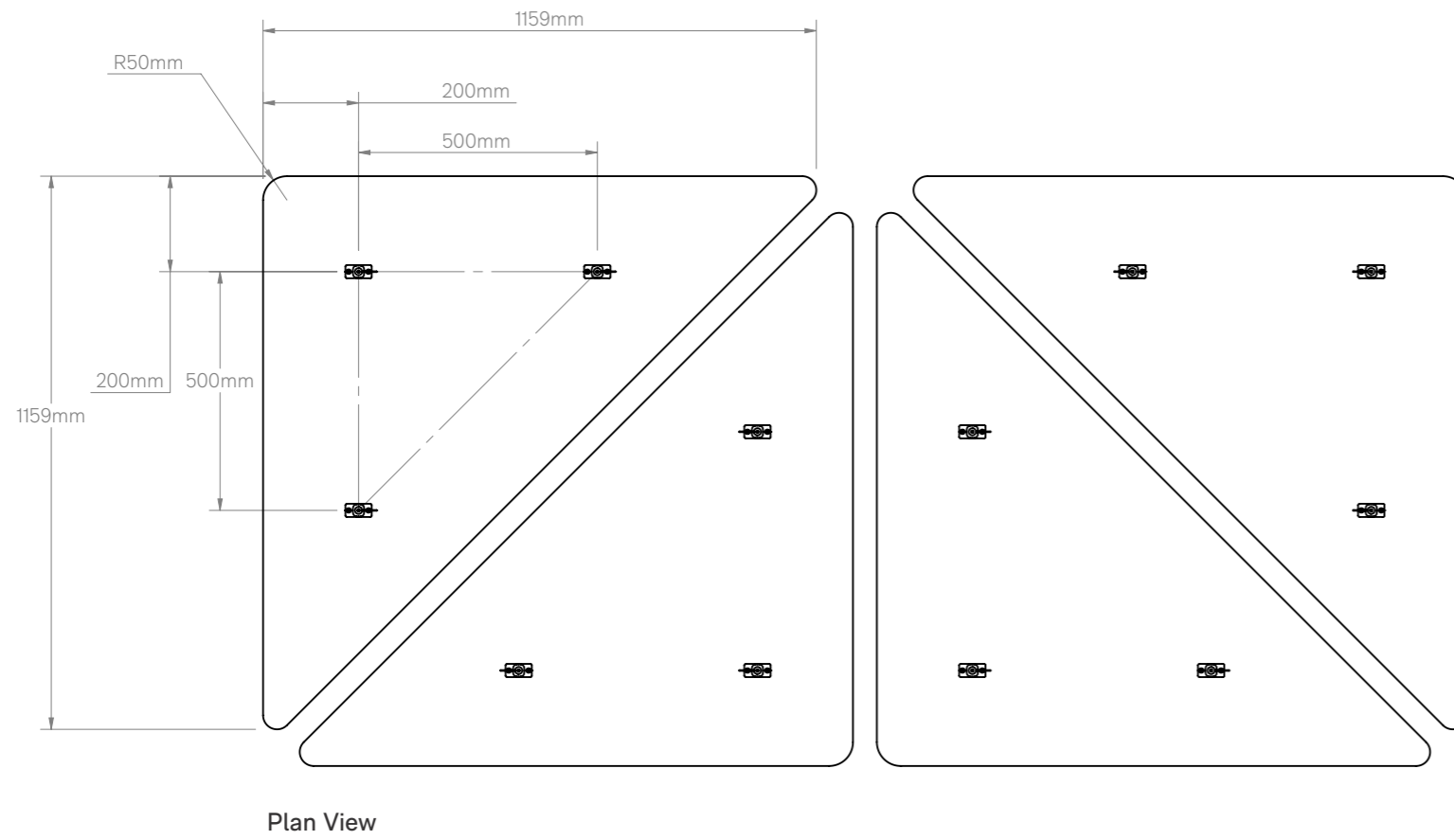
Isometric View



Front Elevation



Side Elevation



Note: Suspension Method 2 could also be used to hang these panels, reducing the number of hangers required.

- Using the supplied M5 x 20mm screw (A), attach all the Floating Panel Connectors (B) to the barrel adjusters (C).

- Using the supplied 12mm panhead screws (D), attach all the Floating Panel Connectors (B) to the Horizon panel (E). Use the positions marked on the Horizon panel to correctly position the Floating Panel Connectors.

The screws should be driven in using firm pressure, however, do not allow the screw to over-rotate once seated against the Floating Panel Connector.

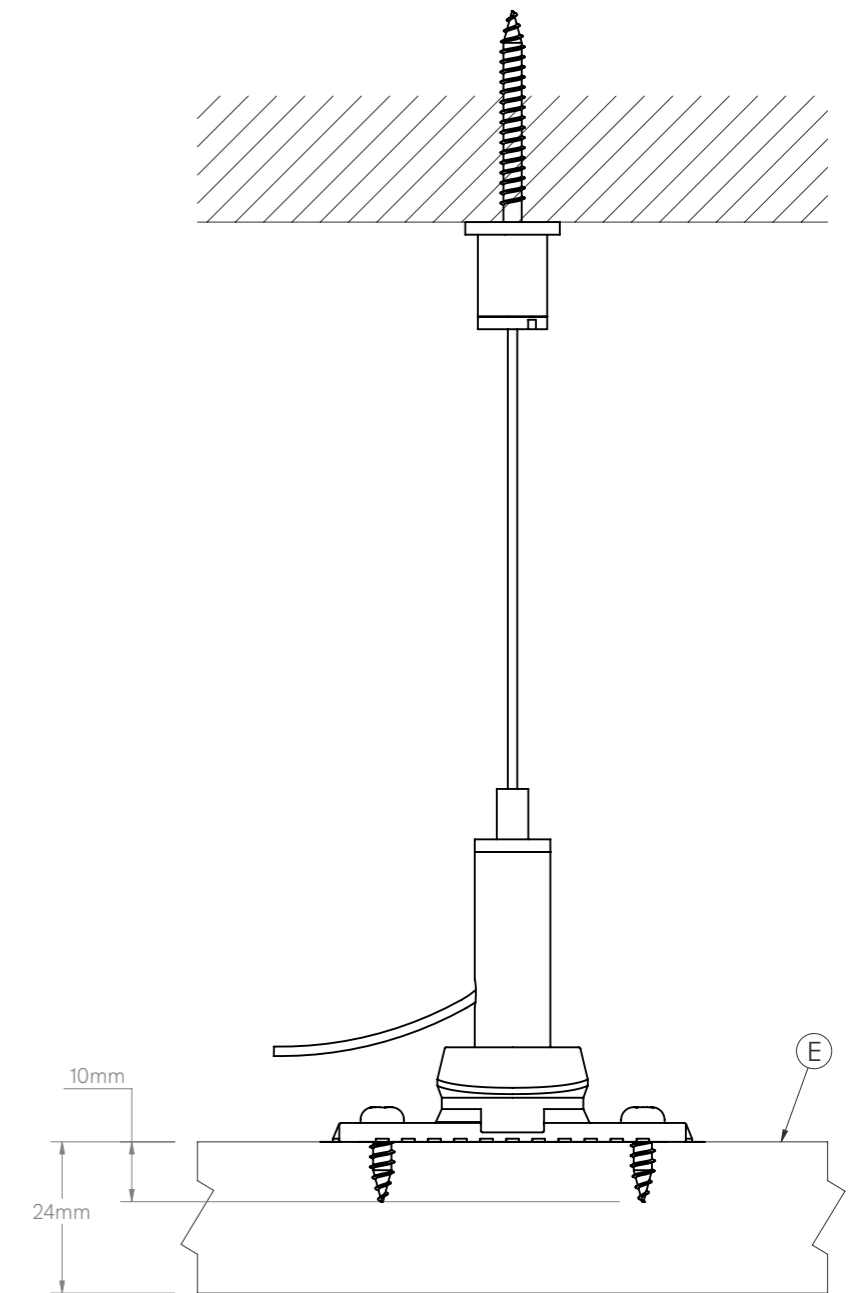
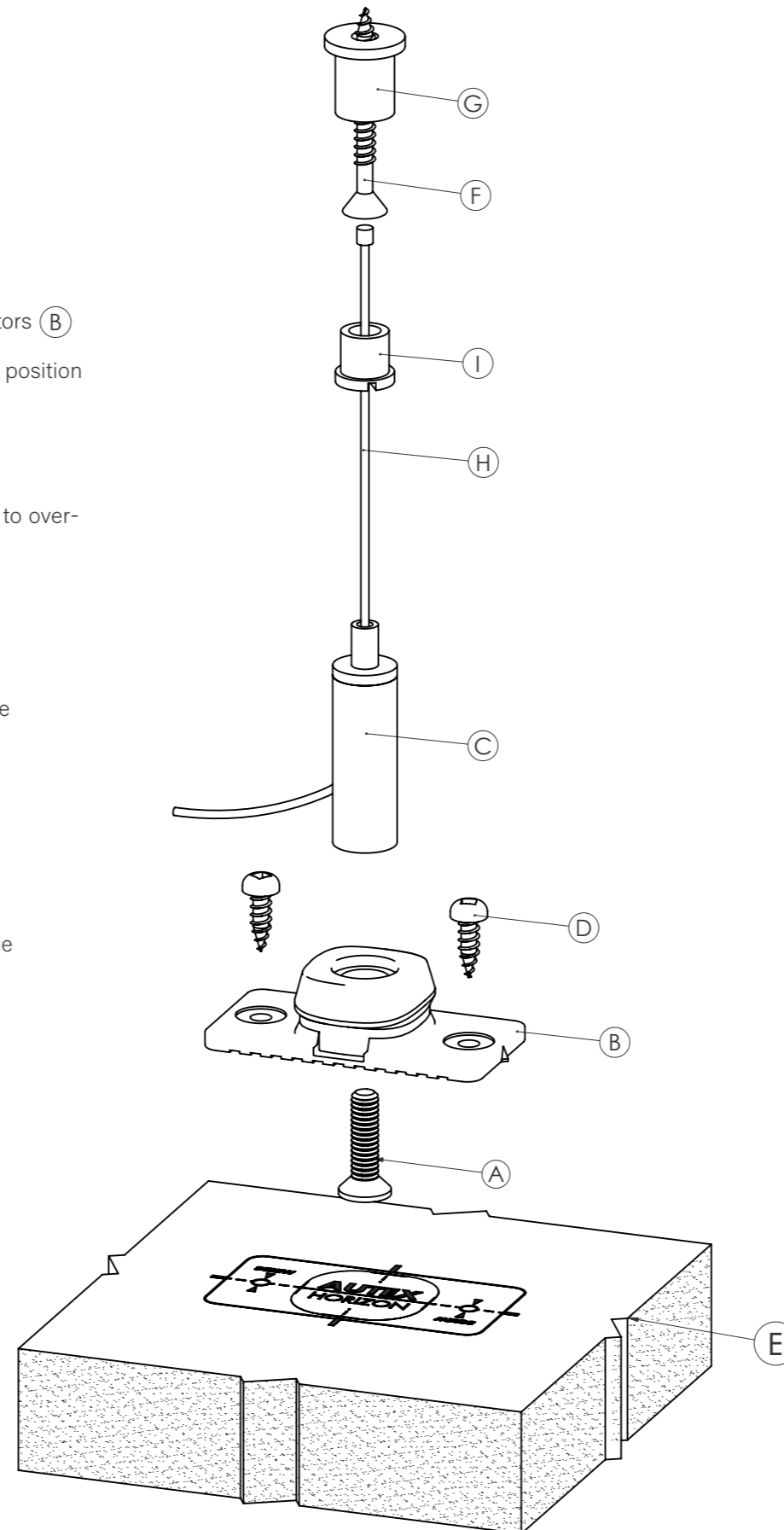
- Mark out the overhead fixing locations specific to your panel shape as detailed on the relevant overview page of this document.

Using a screw suitable for the substrate (F), screw the ceiling connectors (G) to the marked positions.

Thread each cable (H) through a ceiling connector cap so that the ball end sits inside the cap (I). Screw all caps—with the cable inserted—into the remaining ceiling connectors.

- While carefully lifting the panel (E), insert the free hanging cable ends into the hole in the top of the barrel adjuster (C).

Once all cables are inserted, adjust the height and level of the panel. To lower the panel, depress the button on the top of the barrel adjusters to release the cable.



1. Using the supplied 12mm panhead screws (A), attach all the Floating Panel Connectors (B) to the Horizon panel, use the positions marked on the Horizon panel to correctly position the Floating Panel Connectors.

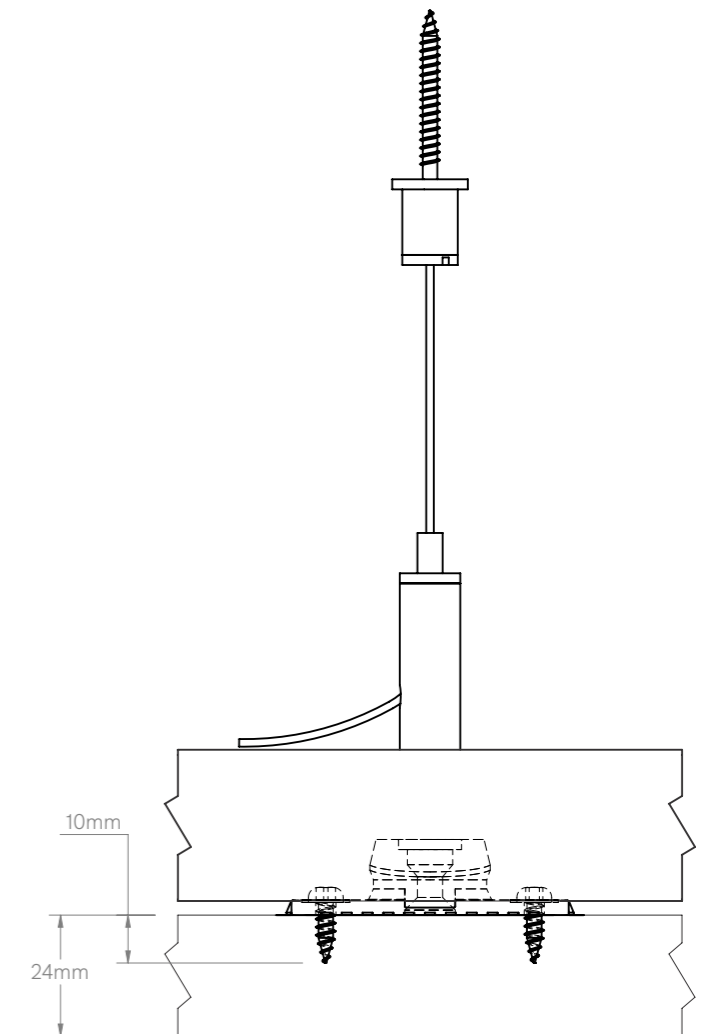
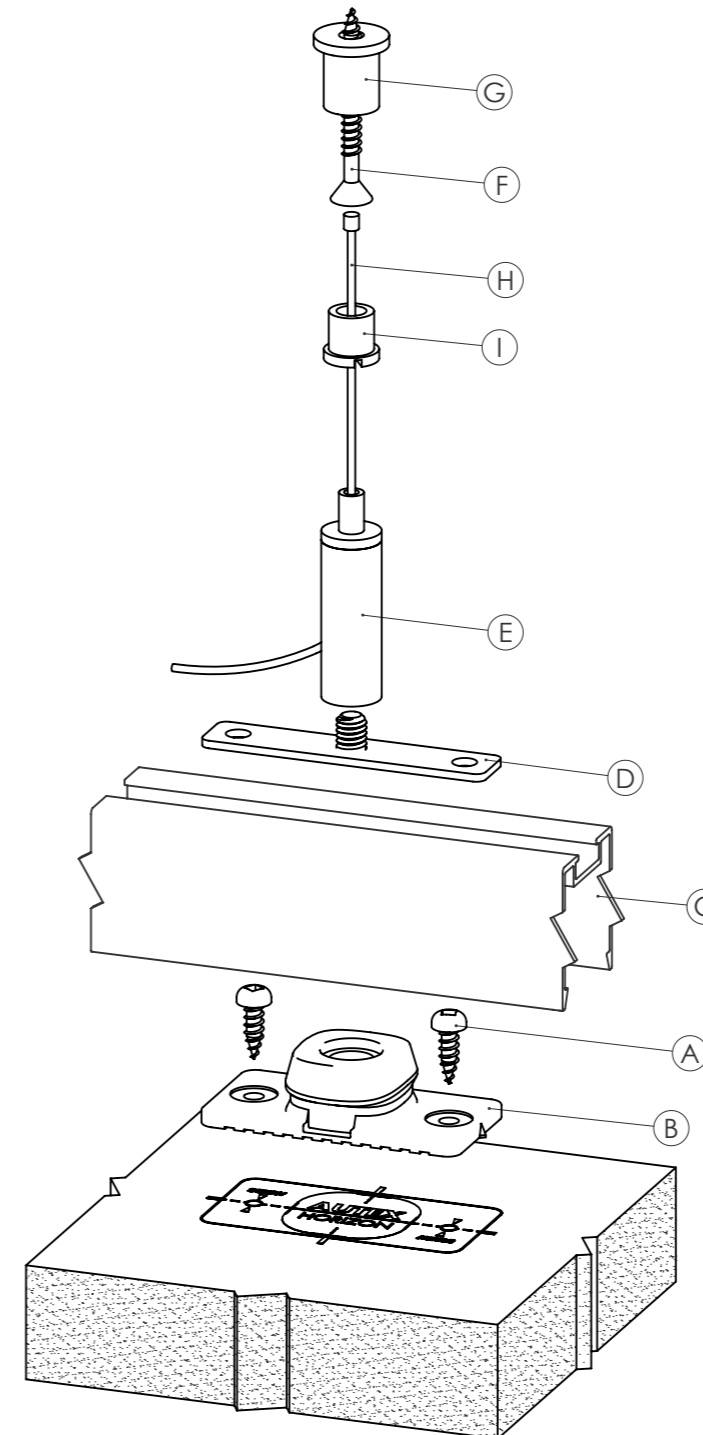
The screws should be driven in using a firm pressure, however, do not allow the screw to over-rotate once seated against the Floating Panel Connector (B).

2. Place the RAFNEX2420 channel (C) over the Floating Panel Connectors (B) and press firmly on the RAFNEX2420 channel to clip into place.
3. Slide 2 attachment plates (D) into the groove on top of the RAFNEX2420 channel. Move these attachment plates to the desired position and lock them in place by screwing the adjustment barrel (E) onto the threaded boss of the attachment plates (D).

4. Mark out the overhead fixing locations specific to your panel shape as detailed on the relevant overview page of this document.
Using a screw suitable for the substrate (not supplied) (F), screw the ceiling connectors (G) to the marked positions.

5. Thread each cable (H) through a ceiling connector cap so that the ball end sits inside the cap. Screw all caps—with the cable inserted—into the remaining ceiling connectors.

6. While carefully lifting the panel, insert the free hanging cable ends into the hole in the top of the barrel adjusters. Once all cables are inserted, use a level to adjust the height and flatness of the panel. To lower the panel, depress the button on the top of the barrel adjuster to release the cable.



- Using the supplied 12mm panhead screws (A), attach all the Floating Panel Connectors (B) to the Horizon panel. Use the positions marked on the Horizon panel to correctly position the Floating Panel Connectors.

The screws should be driven in using a firm pressure, however, do not allow the screw to over-rotate once seated against the Floating Panel Connector (B).

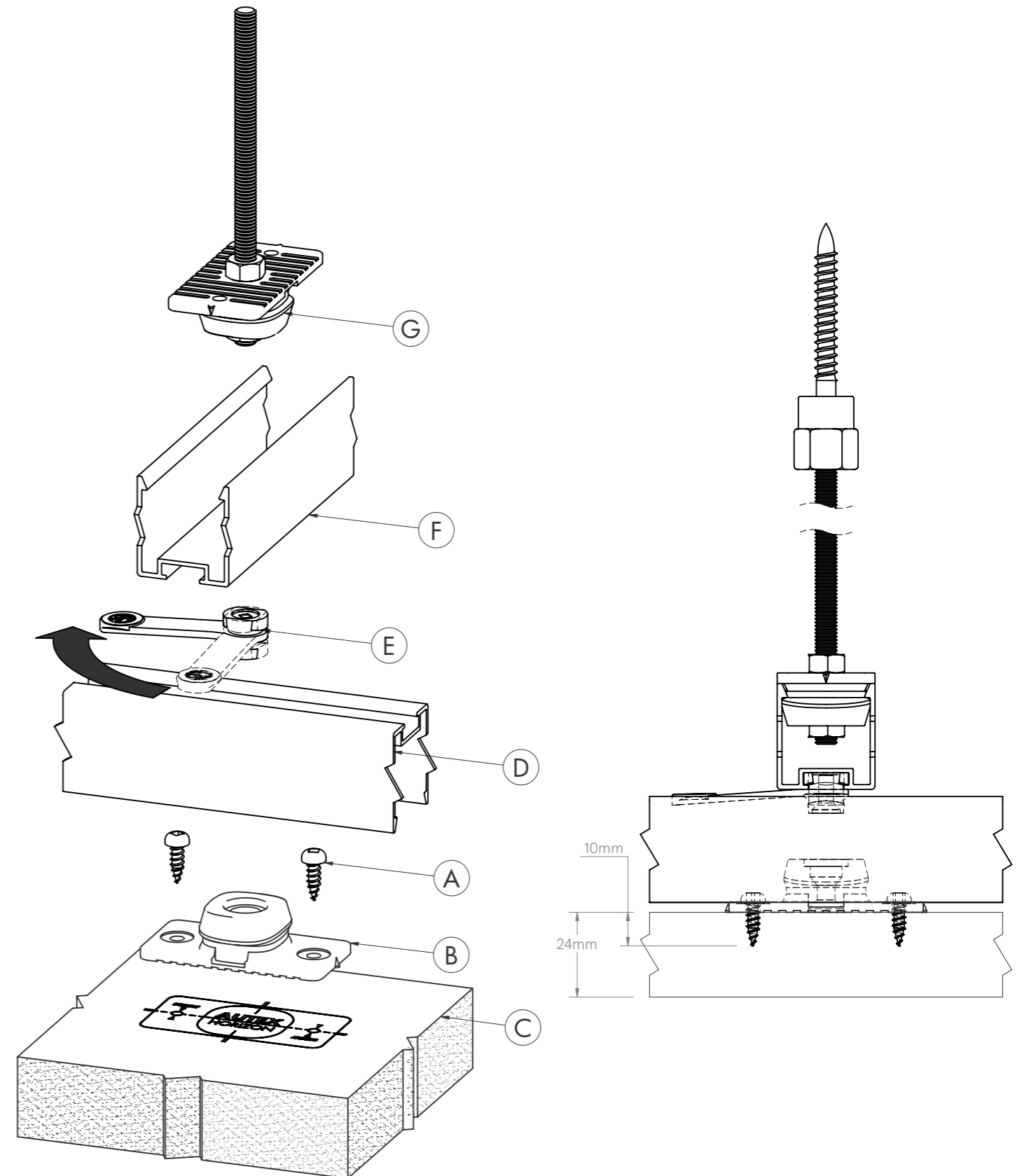
- Place the RAFNEX2420 channel (D) over the Floating Panel Connectors (B) and press firmly on the RAFNEX2420 channel to clip into place.

- Prepare the Threaded Rod Assemblies (G) as detailed on Page 13 of this document (Threaded Rod Detail) to the relevant positions and attach the RAFNEX24 channels (F) as cross rails.

- Clip the RAFTCC (Autex Mounting Clips) into the RAFNEX2420 channel (D) that is attached to the Horizon panel and position it to align it with the RAFNEX24 channel (F) used as the cross rails.

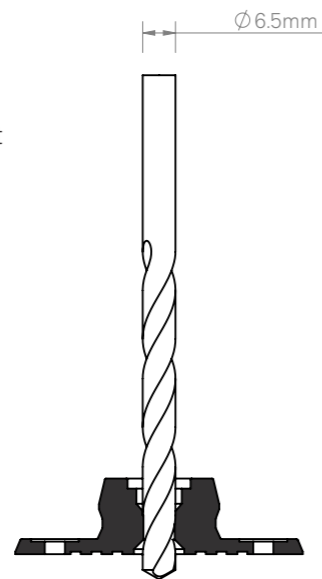
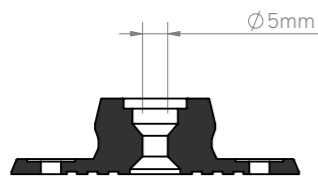
While carefully lifting the Horizon panel, clip the other side of the RAFTCC Autex Mounting Clip (E) into the RAFNEX24 channel (F) being used as a cross rail.

- Lock the Horizon panel in place by rotating the RAFTCC (Autex Mounting Clip) (E) 90 degrees and ensuring the tongue of the clip aligns in the channel of the RAFNEX2420 channel (D) attached to the Horizon panel.



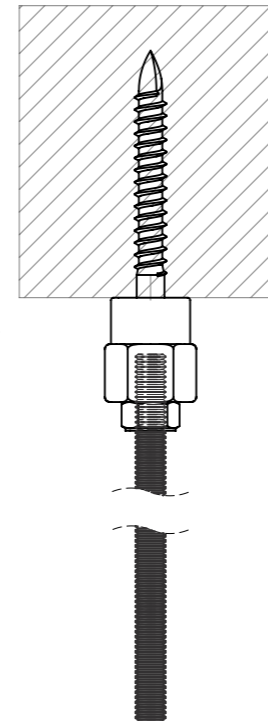
1. The Floating Panel Connectors in the RAFFPC set are designed to fit a M5 Countersunk screw.

In order to use the Floating Panel Connectors with threaded rod, you must first drill out the centre of each clip to accommodate the rod.

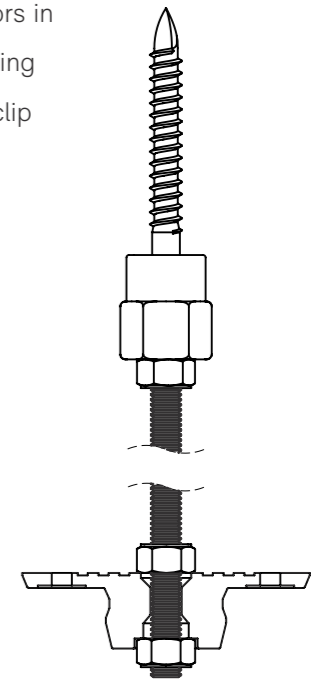


2. Install suitable vertical hangers (not supplied) into the ceiling substrate, then insert threaded rods into the hangers.

To lock the rods in place, use nylok nuts and tighten against the hangers.

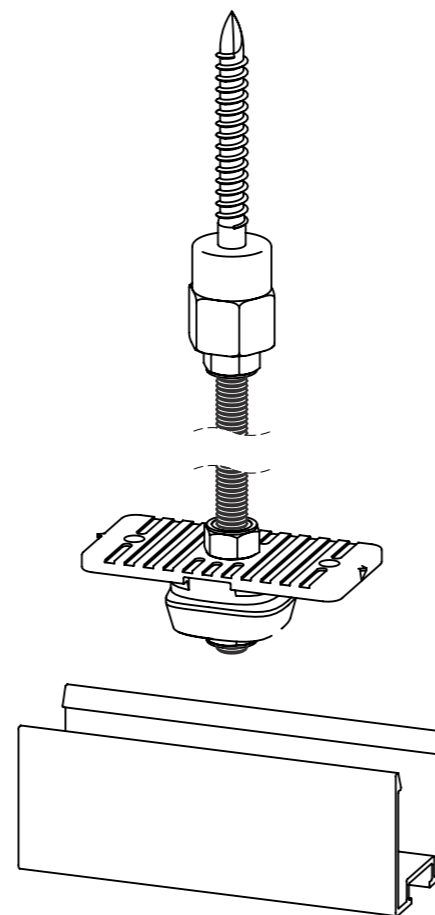
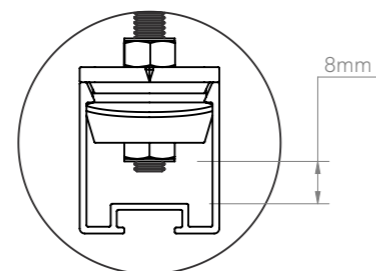


3. Affix the Floating Panel Connectors in place on the threaded rods by using nylok nuts above and below the clip to set its height.



4. Lift the RAFNEX24 channel and clip into place, aligning the Floating Panel Connectors with the length of the extrusion.

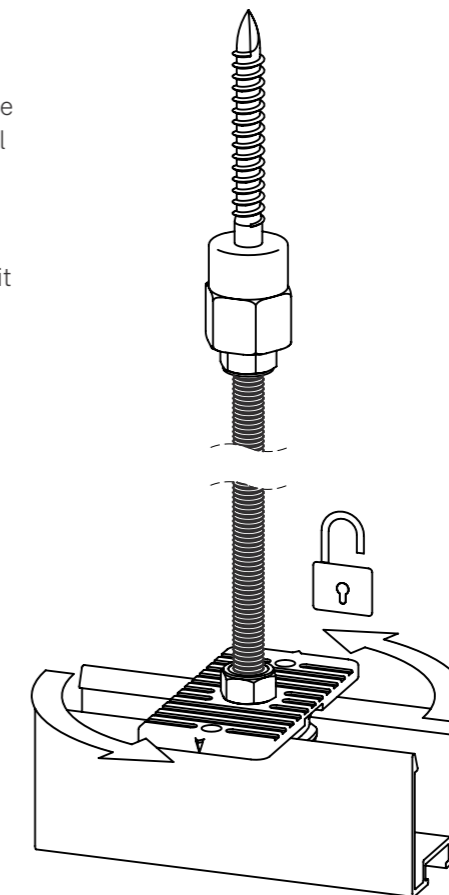
Note: there is approximately 8mm of adjustment possible, should the heights need fine tuning.



5. Should further adjustment to the heights be required, you can remove the channel from the Floating Panel Connectors.

Turn the clip 90 degrees so it is perpendicular to the extrusion and it will be able to be popped off.

You may need to loosen the nut above the Floating Panel Clip to allow it to rotate.

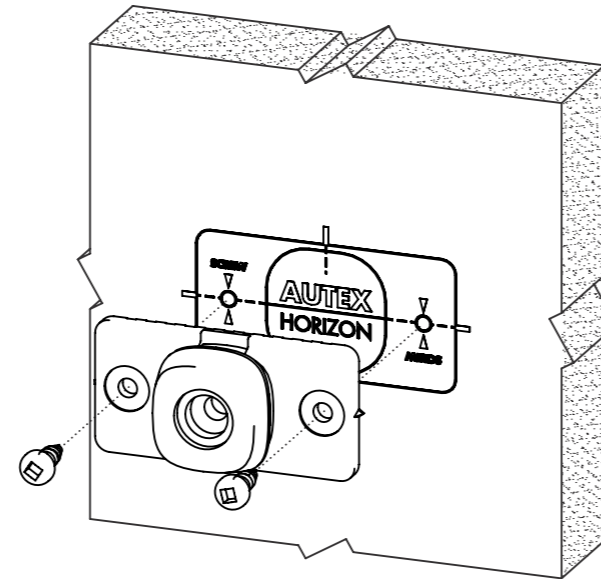


- Using the supplied 12mm panhead screws, attach all the Floating Panel Connectors to the Horizon panel.

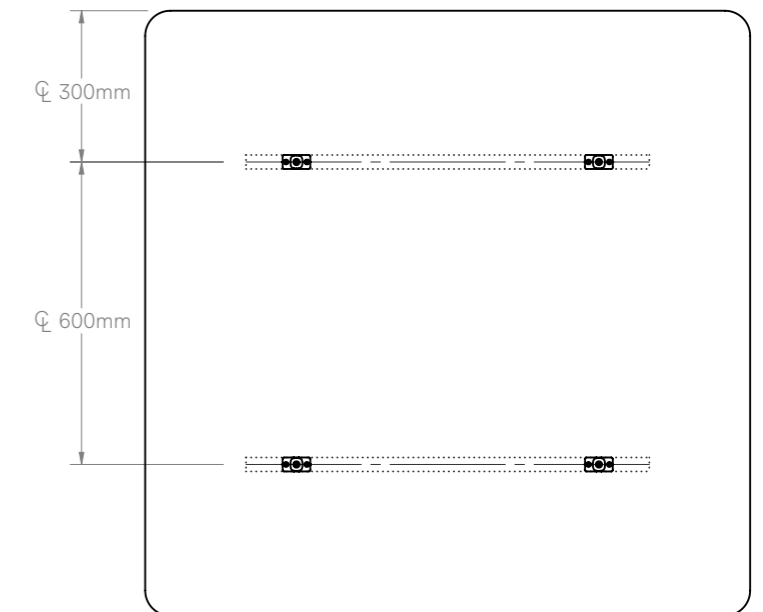
Use the positions marked on the Horizon panel to correctly position the Floating Panel Connectors.

The screws should be driven in using a firm pressure, however, do not allow the screw to over-rotate once seated against the Floating Panel Connector.

Note: If wall mounting the Circle or Hexagon Horizon panels, you will need to re-orient 2 of the clips to align with the RAFNEX24 channel.

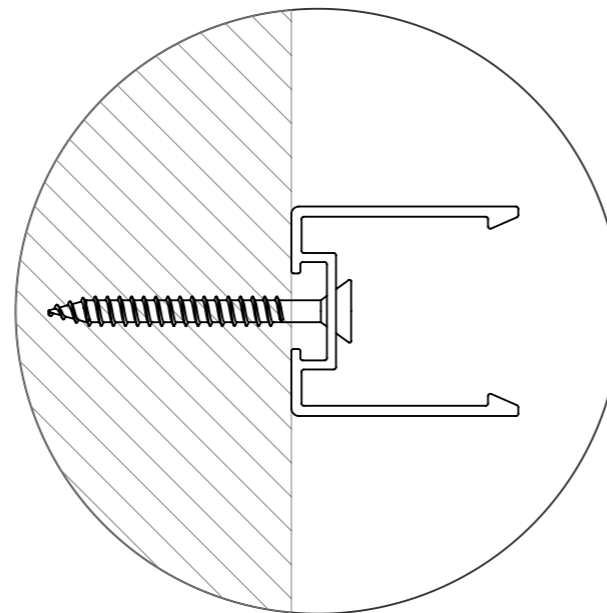


- Measure the vertical distance from the centre of the Floating Panel Connectors to the top of the panel and make note of this when screwing the RAFNEX24 channel to the wall.



- Using suitable screws for the wall substrate (not supplied), screw the RAFNEX24 channels to the wall in the relevant locations.

Depending on the screw you may need to pre-drill holes in the RAFNEX24 channel.



- Carefully lift the Horizon panel into place and clip the Floating Panel Connectors into the RAFNEX24 channel.

To remove the Horizon panel, you may need to slide the panel horizontally to remove the Floating Panel Connectors from the channel.

